

DEK® 迪比科

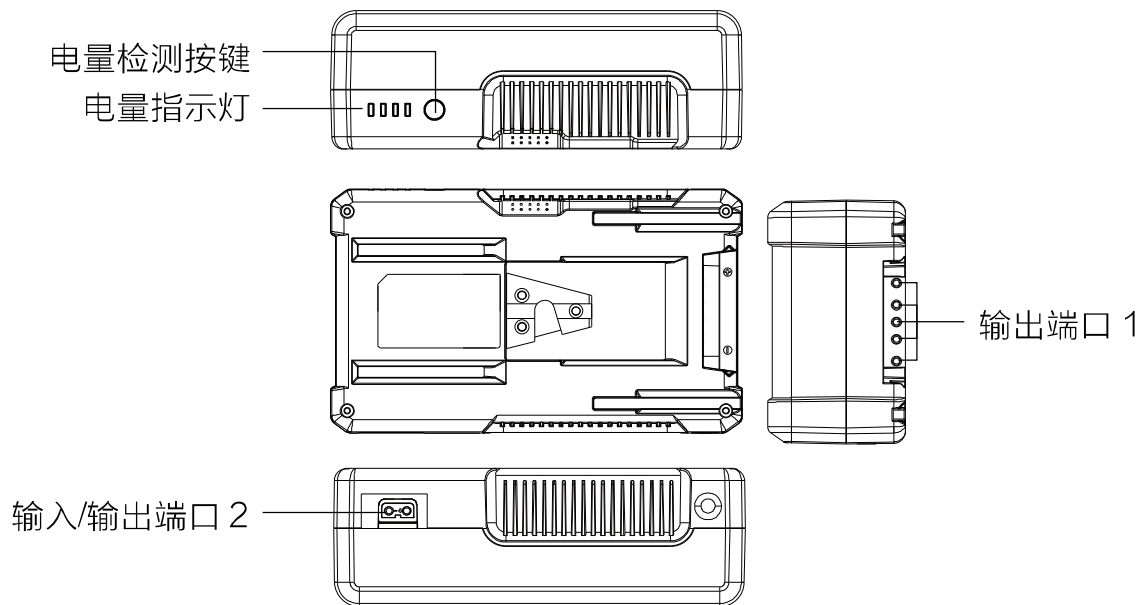
专业摄像机电池BP190



用户手册

感谢您购买我们的产品。为了您能安全的使用本产品，请在使用前仔细阅读说明书。请保管此说明书以备将来使用。

■ 产品介绍



该电池盒是一款集多功能的通用型电子部件，它可以独立给设备供电，也可以和电池转换板组合后可以给多个设备供电，多个不同电压输出接口，可满足不同的设备需求。本产品工艺精湛，结构坚固，不易损坏。

■ 产品特点

1. 大容量，为您的设备完美续航
2. 自动识别负载放电
3. 支持扩展电池转换板，同时给多个设备供电
4. 精湛的工艺与先进的技术完美结合，并具备防过充、防短路等保护功能，确保设备安全

■ 规格参数

输入：DC17V/2A

输出：端口1 14.8V/100W(MAX) 端口2 14.8V/100W (MAX)

电芯类型：Li-ion

电芯容量：13000mAh/190Wh

尺寸：172*99*61.7mm

重量：1120±10g

■ 使用方法

1. 当电池有电时，电池的输出端口(输入端口)连接TAP线可以给外部设备供电
2. 将电池正确扣入电池转接板（另购），将需要供电的设备连接到电池转接板合适的电压输出口上，此时电池转接板即可以对外部设备进行供电
3. 给电池充电时，请使用合适规格的适配器（另购）连接外部电源

■ 剩余电量显示

短按CHECK键，显示剩余电量

指示灯（●开 ○关）	电量
○ ○ ○ ○	0-5%
● ○ ○ ○	5%-25%
● ● ○ ○	25%-50%
● ● ● ○	50%-75%
● ● ● ●	75%-100%

■ 工作环境

充电: 0~45℃

放电: -20~60℃

存储: -20~45℃ 1个月

-20~35℃ 3个月

-20~25℃ 1年

工作湿度: 0~75% RH



注意:

1. 电池首次使用需进行3次完全的充放循环，以达到激活目的
2. 电池和电池转接板属于配套产品，建议不与其他产品混合使用，以免造成电池损坏
3. 给电池充电时，建议使用配套的专用充电器，以免外部电压不稳定造成电池损坏

- 4.卸下电池时，请按下电池锁扣
- 5.长时间不使用时，请断开外部电源和卸下电池转换板

■ 可选配件

适配器（电池配套产品）、TAP线材
BP-001/SJT4-SONB电池转接板

■ 警告

- 1.请勿将该产品放置于其它热源附近
- 2.请勿在高湿度环境中使用电池转接板和电池
- 3.请使用电池配套的电池转换板，注意电池接口极性
- 4.请勿私自拆卸或修理该产品，如有需要，请联系专业人员

■ 保修服务

自购买之日起一年内保修（配件不在保修范围内）。
因错误使用或不可抗之外力引发的损坏，不在保修范围内

执行标准：GB/T 18287-2000 产品标准：GB 5296.2-2008

所有资料根据生产厂家标准测定，如有任何印刷或翻译上的错误，
望请广大用户谅解，产品设计与规格如有更改，恕不另行通知。

深圳市迪比科电子科技有限公司
SHENZHEN DBK ELECTRONICS CO., LTD
地址：深圳市龙华新区龙华街道华联社区龙
观路北侧迪比科工业园

服务热线：

400-889-0268

www.dbk.com.cn

B6F-E-088-006

DEK® 迪比科

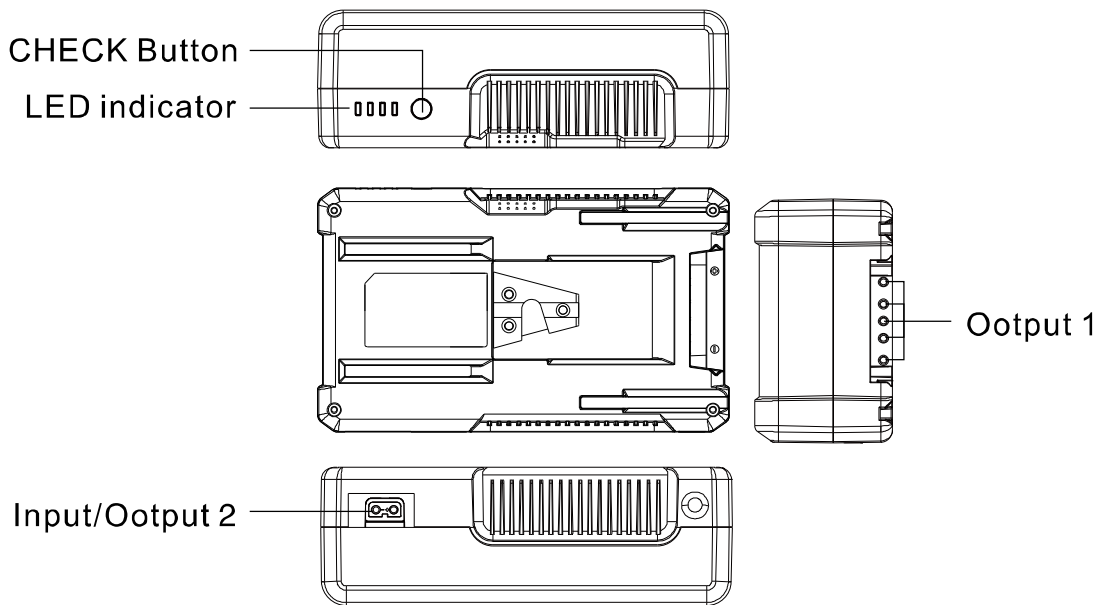
BP190



User Manual

Thank you for purchasing our product. For optimum performance and safety, please read these instructions carefully before operating the product. Please keep this manual for future reference.

■ Product introduction parts



The battery Packs is a versatile electronic unit that integrated multi-functions with a body, it can supply power to device by itself ,and also can provide power to multiple devices. It can satisfy different devices through different output interfaces with different voltages. This product tooled exquisite, firm structure and difficult to be damaged

■ Feature

1. High capacity providing your devices with a perfect state of power
2. Recognize load discharging automatically
3. Support patulous battery pinch, can provide power to multiple devices at the same time
4. Combining exquisite craft with advanced technology, over-charging and short-circuit protection system to ensure the devices safety

■ Specification

Input: DC 17V/2A

Output: PORT 1 14.8V/100W(MAX) PORT2 14.8V/100W (MAX)

Cell model: Li-ion

Cell capacity: 13000mAh/190Wh

Dimension: 172*99*61.7mm

Weight: 1120±10g

■ How to use the battery packs

1. The battery packs can provide power to device by a pieces of TAP line. when it has power.
2. Install the battery packs into the battery pinch (additional purchase) correctly, connect the devices which need power to battery pinch through proper interface, and then the battery pinch start to provide power to the external devices
3. Please use the proper adapter(additional purchase)to charge to the battery

■ How to test the remaining power

Short press the 'CHECK' button, the remaining power display as follows:

LED Light(● ON ○OFF)	Capacity
○ ○ ○ ○	0-5%
● ○ ○ ○	5%-25%
● ● ○ ○	25%-50%
● ● ● ○	50%-75%
● ● ● ●	75%-100%

■ Work environment

Charge: 0~45°C

Discharge: -20~60°C

Storage: -20~45°C Within 1 month

-20~35°C Within 3 months

-20~25°C Within 1 year

Operation humidity range: Less than 75% RH

Storage humidity range: Less than 75% RH



Note:

1. The battery packs should be charged and discharged for 3 complete cycles as a warm-up when firstly used.

2. The batteries are matched with the battery pinch, please don't mixed with other products, so as not to cause damage to the battery packs
3. Please use the specialized charger charge to the battery, so as not to cause damage to the battery packs when the external voltage is not stable
4. Please press the battery lock when uninstal the battery;
5. Please disconnect the external power and uninstal battery pinch when it is not used for a long time.

■ Accessories

adapter(match with batteries), TAP cable
BP-001/SJT4-SONB battery pinch

■ Warnings

1. Please don't place the product nearby other hot objects;
2. Please don't use the battery pinch and battery in high humidity environment;
3. Please use the matched batteries, notice the polarity of the interface;
4. Please don't disassemble or repair the product without permission. In case of need, please contact the professionals.

■ Warranty

Our product is warranted for 1 full year from the date of purchase (accessories are out of warranty). It will be out of guarantee if damaged due to falsely use or force majeure

THE FUNCTIONS DESCRIBED IN THIS MANUAL ARE BASED ON TESTING MADE BY OUR COMPANY. SPECIFICATIONS AND DESIGN MAY CHANGE WITHOUT FURTHER NOTICE

Shenzhen DBK Electronics Co., Ltd

Add: DBK Ind. Park, the north of Longguan Rd. Hualian Community, Longhua Town, Longhua New District, Shenzhen, 518109, China.